



SINGLE ROOM CONTROLLER

SRC2100

The Audacity® Single Room Controller combines the functionality of a Wall-Mount Switch, Motion Sensor, and Luminaire Controller into one device. It fits into a standard wallbox and uses a decora-style faceplate to blend into any aesthetic. The SRC2100 has on/off and 0-10V dimming capabilities, and its Motion Sensor can be used in both occupancy and vacancy modes. Perfect for use in small spaces, the Audacity Single Room Controller can be used as a standalone device. Additionally, it can send room data to a wireless Gateway when integrated into a larger Audacity Wireless Lighting Control solution.

ADAPTABILITY AT YOUR FINGERTIPS

When used as a standalone solution, the Single Room Controller easily manages small spaces, such as private offices, utility closets, or mechanical rooms. Once the Single Room Controller is networked into a larger Audacity wireless lighting control system, it becomes part of a more functional and versatile system that can provide features such as off-site control via a mobile device, room status and energy consumption reporting, and scheduling. The Audacity Wireless Controls system can be used to provide compliance with ASHRAE 90.1-2016 and CA Title 24 requirements.

BECAUSE TIME IS MONEY

As with all Audacity Wireless Controls system components, the Audacity Single Room Controller vastly reduces installation time and costs versus a typical wired system alternative. Whether it is from the simple installation into a wallbox or an easy integration into a networked Audacity system, time saved is money saved.

**AUDACY BY IDEAL®:
CUTTING COSTS.
CUTTING EDGE.**

IDEAL has been a leading manufacturer of quality electrical products for over one hundred years. Crafted at the intersection of simple and innovative, our new Audacity Wireless Controls system.

AUDACY®
WIRELESS LIGHTING CONTROL
YOUR WORLD IN A BETTER LIGHT

SINGLE ROOM CONTROLLER

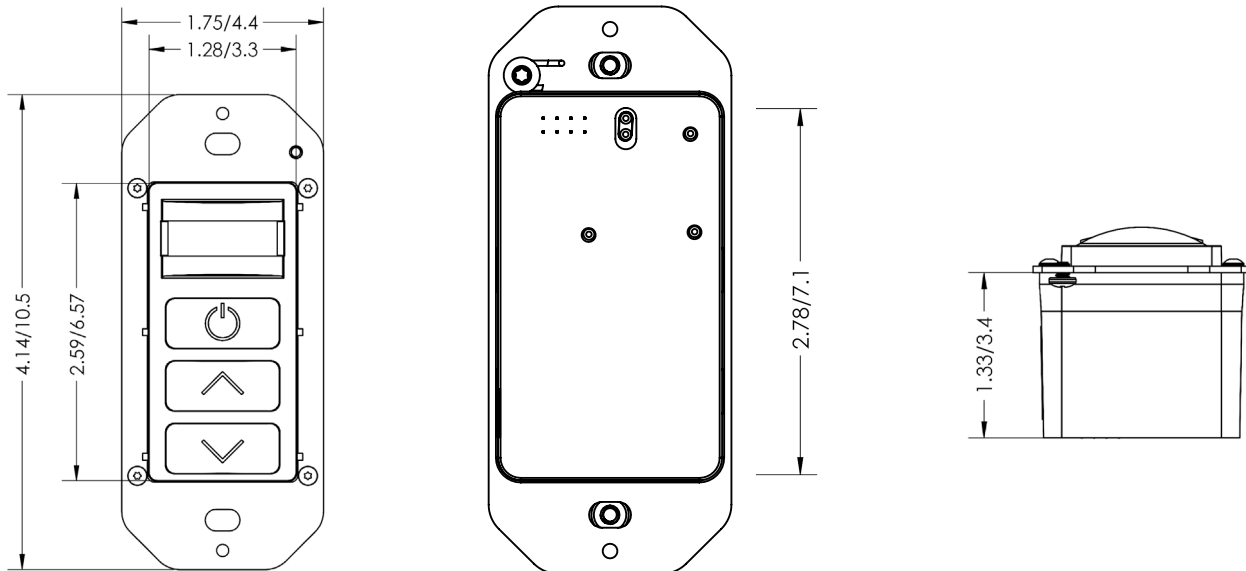
SRC2100

 On the DesignLights Consortium™ Qualified Products List

SPECIFICATIONS

ITEM	DESCRIPTION
Radio Frequency Range	902–928 MHz, Dual Channel, Internal Antenna
Wireless Protocol	Proprietary based on IEEE 802.15.4
Encryption	Proprietary based on AES encryption
Regulatory Approvals	FCC Part 15 and Industry Canada UL916 Energy Management Equipment FCC ID: 2AAMXSRC2100 CSA C22.2 No.205.12 Signal Equipment IC: 11250A-SCR2100
Transmit Power	18 dBm short duration, utilizing direct sequence spread spectrum
Transmit Range	300 ft. (90m) indoors to an Audacy Gateway or Luminaire Controller in a typical commercial building; extended range when repeater mode enabled
Power	120/277 VAC (Neutral wire connection required), 5A
Operating Temperature	50°F to 104°F (10°C to 40°C)*
Installation Environment	Indoor use only
Mounting	In switch box, decora-style faceplate (wiring for 0-10V dimming control available)
Orientation	PIR sensor on top
Color	White
Dimensions	4.14" x 1.75" x 1.33" (69.6mm x 61.5mm x 33.7mm)
Weight	3.0 oz (85g)
Warranty	5 year
Catalog Number	59-SRC2100
Description	Audacy® Single Room Controller

MECHANICAL DIMENSIONS (INCHES/CM)



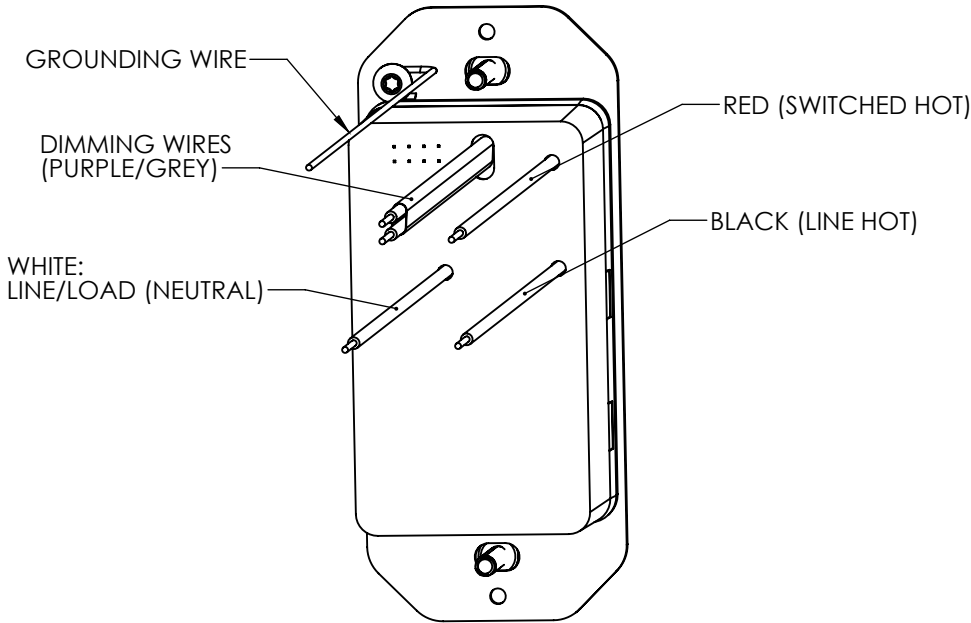
AUDACY
WIRELESS LIGHTING CONTROL
YOUR WORLD IN A BETTER LIGHT

SINGLE ROOM CONTROLLER

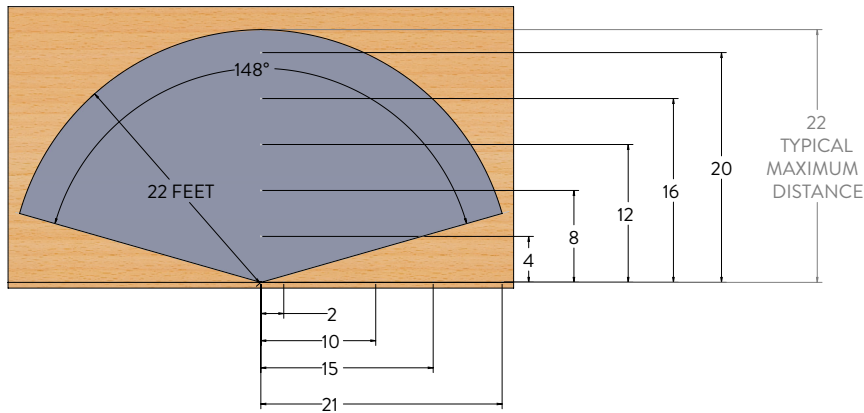
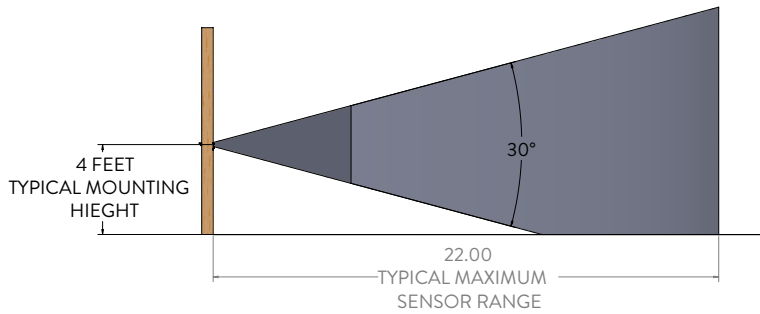
SRC2100

 On the DesignLights Consortium™ Qualified Products List

WIRE PLACEMENT



COVERAGE PATTERN (FT)



AUDACY
WIRELESS LIGHTING CONTROL
YOUR WORLD IN A BETTER LIGHT

AUDACY[®]
WIRELESS LIGHTING CONTROL
YOUR WORLD IN A BETTER LIGHT

A DIVISION OF  IDEAL INDUSTRIES, INC.

1375 Park Avenue, Sycamore, IL 60178, USA (800) 273-9989 | contactus@audacywireless.com
www.audacywireless.com