



The Audacy® Dual-Technology Sensor is an AC line-powered, passive infrared and ultrasonic motion sensor. It can be used to detect occupancy and/or vacancy. The VDT1300 sends commands to control light fixtures equipped with Audacy Luminaire Controllers. Individual fixture control is available as well. The VDT1300 is mounted in the ceiling on a junction box.

## HOW IT WORKS

The Audacy Dual-Technology Sensor detects movement via sensitive infrared and ultrasonic technology and then relay commands – based on intervals of absence or activity – to system-enabled fixtures. Like any other Audacy component, The VDT1300 operates in the highly reliable 915 MHz spectrum.

## PEOPLE MOVE - LIGHT SHOULD TOO

Your inputs to the Audacy Interface inform the system that determines which groups of light fixtures – equipped with Audacy Luminaire Controllers – can turn off/on, dim or brighten based on employee migration throughout the day. Accompanied by Audacy switches (wall-mount, scene, or remote), users have control.

The Audacy Wireless Controls system can be used to provide compliance with ASHRAE 90.1-2016 and CA Title 24 requirements.

## AUDACY BY IDEAL®: CUTTING COSTS. CUTTING EDGE.

IDEAL has been a leading manufacturer of quality electrical products for over one hundred years. Crafted at the intersection of simple and innovative, our new Audacy Wireless Controls system.

**AUDACY**  
WIRELESS LIGHTING CONTROL  
YOUR WORLD IN A BETTER LIGHT

# DUAL-TECHNOLOGY SENSOR

VDT1300



On the DesignLights Consortium™ Qualified Products List

## SPECIFICATIONS

ITEM	DESCRIPTION
Radio Frequency Range	902–928 MHz, Dual Channel, Internal Antenna
Wireless Protocol	Proprietary based on IEEE 802.15.4
Encryption	Proprietary based on AES encryption
Regulatory Approvals	FCC Part 15 and Industry Canada FCC ID: 2AAMXVDT1300 IC: 11250A-VDT1300 CSA-C22.2 No. 205-12, Signal Equipment
Transmit Power	2 dBm short duration, utilizing direct sequence spread spectrum
Transmit Range	100 ft. (30m) indoors to an Audacy Gateway or Luminaire Controller in a typical commercial building; extended range when repeater mode enabled
Power	120/277VAC
Operating Temperature	50°F to 104°F (10°C to 40°C)* *Battery life may be reduced if operated at higher temperatures
Sensor Technology	Passive Infrared and Ultrasonic (Adjustable range - Notes on pg. 2)
Installation Environment	Indoor use only
Mounting	2 bracket mounting holes (See mechanical drawing for dimensions)
Color	White
Dimensions	4.56" x 2.29" x 0.95" (115.82 x 58.17 x 24.13 mm)
Weight	3.0 oz (85.05g)
Warranty	5 year
Catalog Number	59-VDT1300
Description	Audacy® Dual-Technology Sensor

CONTACT US TODAY FOR A CONSULTATION

1.800.273.9989

CONTACTUS@AUDACYWIRELESS.COM

AUDACYWIRELESS.COM

**AUDACY**<sup>®</sup>

WIRELESS LIGHTING CONTROL

YOUR WORLD IN A BETTER LIGHT

A DIVISION OF  IDEAL INDUSTRIES, INC.

AUDACY | 2

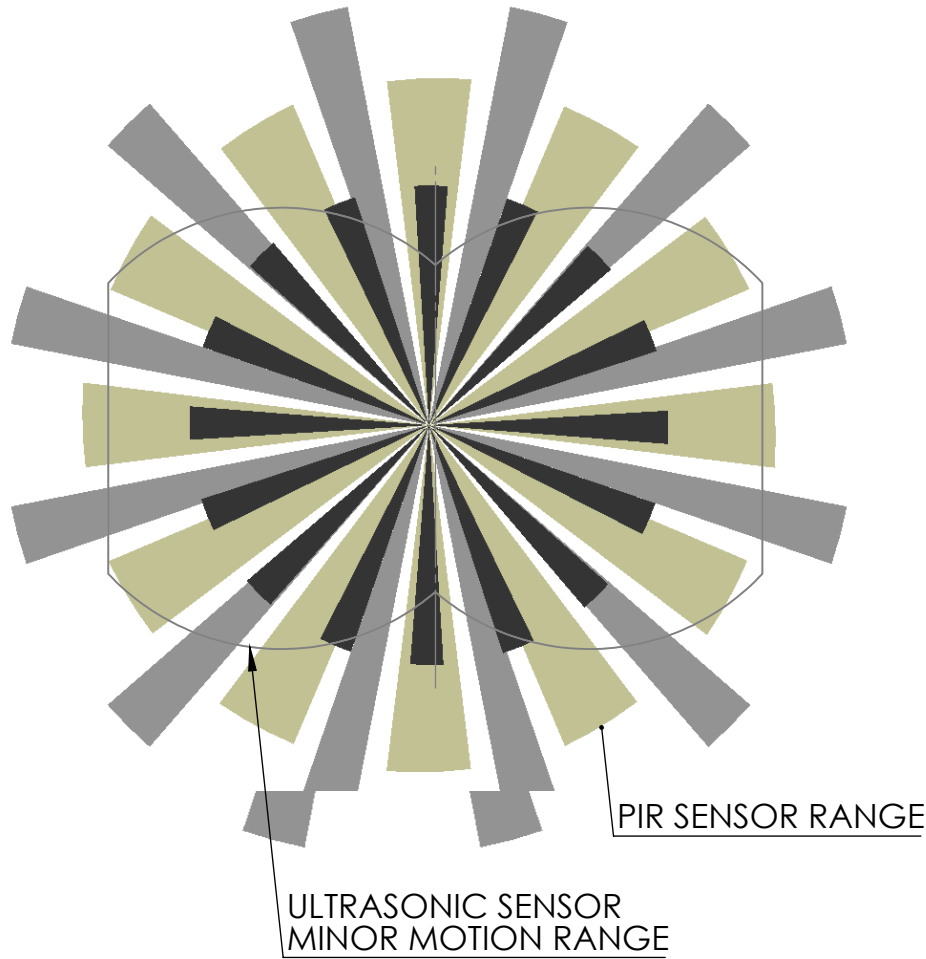
# DUAL-TECHNOLOGY SENSOR

VDT1300

 On the DesignLights Consortium™ Qualified Products List

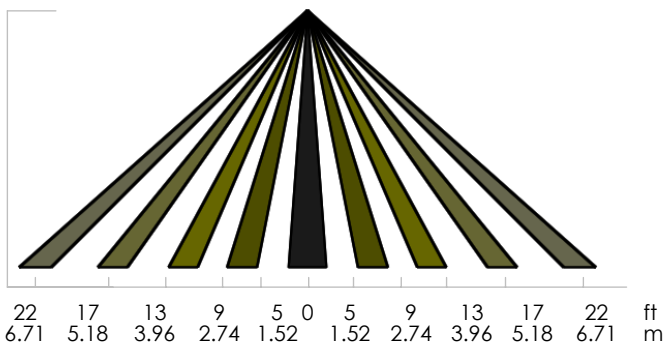
## COVERAGE PATTERN (FT & M)

20 ft 10 ft TOP VIEW 10 ft 20 ft  
6.096 m 3.05 m 0 3.05 m 6.10 m



30 ft 9.14 m  
20 ft 6.10 m  
10 ft 3.05 m  
0  
10 ft 3.05 m  
20 ft 6.10 m  
30 ft 9.14 m 9 ft 2.74 m

## SIDE VIEW

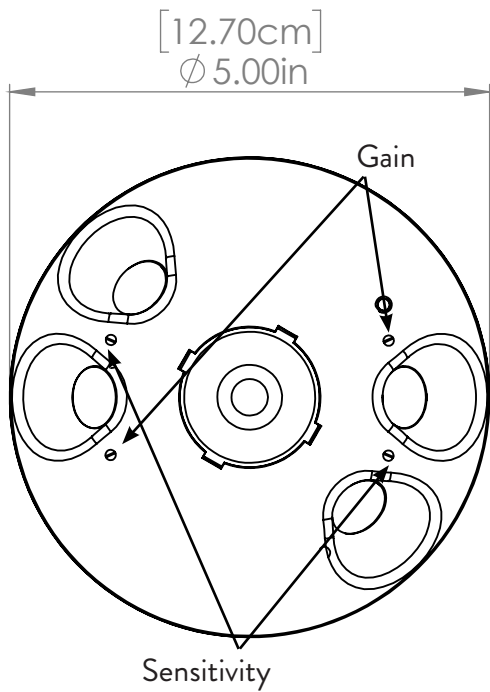


# DUAL-TECHNOLOGY SENSOR

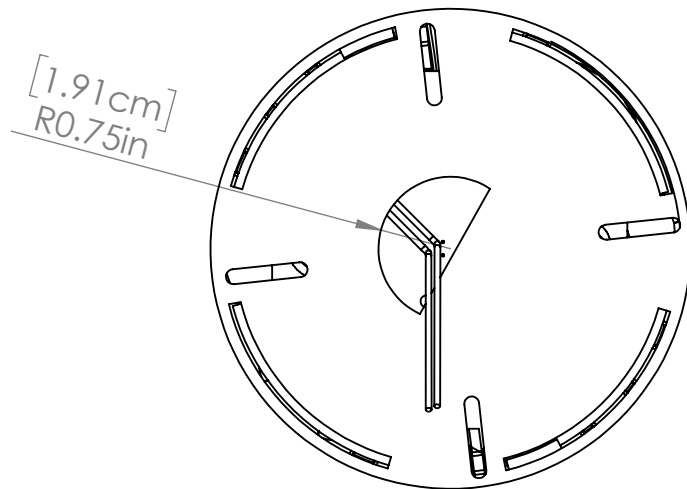
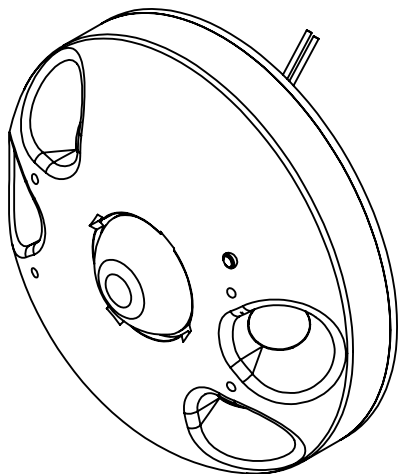
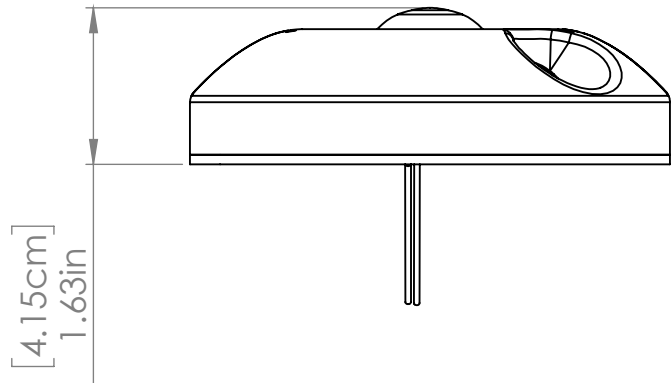
VDT1300

 On the DesignLights Consortium™ Qualified Products List

## MECHANICAL DIMENSIONS (IN & CM)



- Default setting for Gain and Sensitivity: 50%
- Best setting for most areas
- Settings may be adjusted if necessary but recommended to keep Gain at default while slowly adjusting Sensitivity.
- Turning Sensitivity setting:
  - Clockwise: Increases Motion Detection range
  - Counter-Clockwise: Decreases Motion Detection range



CONTACT US TODAY FOR A CONSULTATION

1.800.273.9989

CONTACTUS@AUDACYWIRELESS.COM

AUDACYWIRELESS.COM

**AUDACY**

WIRELESS LIGHTING CONTROL

YOUR WORLD IN A BETTER LIGHT

A DIVISION OF  IDEAL INDUSTRIES, INC.

AUDACY | 4