



## LUMINAIRE CONTROLLER, EXTERNAL-MOUNT

SCD1000

The External-Mounted Luminaire Controller is a junction box-mounted module that can turn on, turn off or provide a 0-10V dimming signal to an electronic dimming ballast or LED driver. The SCD1000 quickly and easily installs using a knock-out on a junction box or fixture and provides the ability to control individual fixtures or groups of fixtures.

### HOW IT WORKS

AC-powered Audacy Luminaire Controllers operate in the highly reliable 915 MHz spectrum. Your electrical installer mounts this Luminaire Controller to a junction box through a knockout, and the wiring is completed inside the box. The typical range for Luminaire Controllers is within 300 feet of the Gateway. And with the repeater mode enabled, the range is extended even farther.

### BECAUSE TIME IS MONEY

When a fixture cannot accommodate an internal-mounted Luminaire Controller, an external-mounted version can be used instead. A typical wired system is vastly more labor intensive and costly to install.

The Audacy Luminaire Controllers get your system up and operational faster and can be modified over time with incredible ease.

The Audacy Wireless Controls system can be used to provide compliance with ASHRAE 90.1-2016 and CA Title 24 requirements.

**AUDACY BY IDEAL®:  
CUTTING COSTS.  
CUTTING EDGE.**

IDEAL has been a leading manufacturer of quality electrical products for over one hundred years. Crafted at the intersection of simple and innovative, our new Audacy Wireless Controls system.

**AUDACY®**  
WIRELESS LIGHTING CONTROL  
YOUR WORLD IN A BETTER LIGHT

# LUMINAIRE CONTROLLER, EXTERNAL-MOUNT

SCD1000

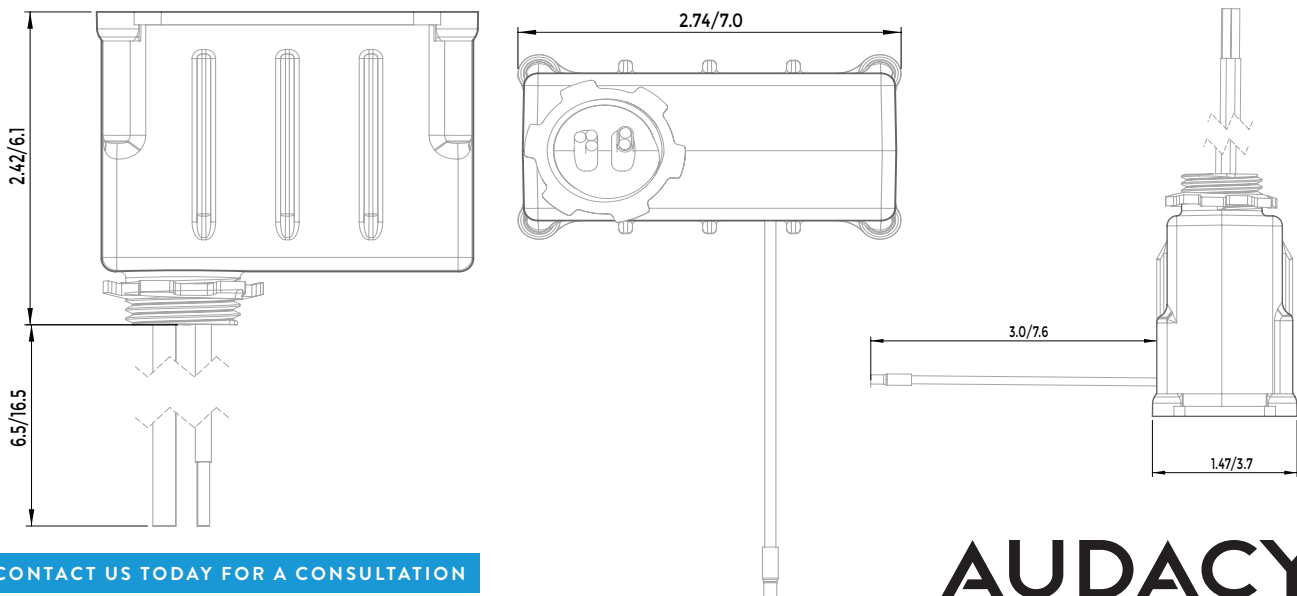


On the DesignLights Consortium™ Qualified Products List

## SPECIFICATIONS

ITEM	DESCRIPTION
Radio Frequency Range	902–928 MHz, Dual Channel, Integrated Wire Antenna
Wireless Protocol	Proprietary based on IEEE 802.15.4
Encryption	Proprietary based on AES encryption
Regulatory Approvals	FCC Part 15 and Industry Canada   FCC ID: 2AAMXSCD1000 IC: 11250A-SCD1000 UL 916 (Energy Management Equipment), UL1598B (Luminaire Retrofit Kit), UL2043 tested - “suitable for use in air handling spaces” CSA-C22.2 No. 205-12, Signal Equipment
Transmit Power	18 dBm short duration, utilizing direct sequence spread spectrum
Transmit Range	300 ft. (90 m) indoors to an Audacy Gateway or Luminaire Controller in a typical commercial building; extended range when repeater mode enabled
Dimming Protocol	0-10V (linear dimming profile, meets IEC60929 Annex E)
Input Voltage	120V AC
Rated Current	5A
Rated Load Wattage	600W@120V
Operating Temperature	50°F to 158°F (10°C to 70°C)
Installation Environment	Indoor use only
Mounting	Directly to junction box or fixture via 1/2” knockout
Dimming Wire Placement	Within nipple for internal connection (linear dimming profile)
Color	Black
Dimensions	2.74” x 2.42” x 4.2”, antenna fully extended (69.6mm x 61.5mm x 106.7mm)
Weight	4.6 oz (130.4g)
Warranty	5 year
Catalog Number	59-SCD1000
Description	Luminaire Controller, External-Mount

## MECHANICAL DIMENSIONS (INCHES/CM)



CONTACT US TODAY FOR A CONSULTATION

1.800.273.9989

CONTACTUS@AUDACYWIRELESS.COM

AUDACYWIRELESS.COM

**AUDACY**

WIRELESS LIGHTING CONTROL

YOUR WORLD IN A BETTER LIGHT

A DIVISION OF HIAL INDUSTRIES, INC.